

Splinters

The newsletter of
Christchurch Woodturners Association Inc.



Next meeting

Our 27 March meeting will feature a demonstration on the making of a natural edge bowl. There was a great show table display last month. Keep the entries coming.

Pen making at the workshop, Wednesday 3 April at 7pm

Pen night at the club rooms at Auburn reserve from 7-9pm. Come and work on pens you are making or try a kit to make a seam ripper, or if you haven't made a pen before and would like to try come and give it a go.

Things to Bring;- A mask – dust hazard \$5 workshop fee
Pen kits- If you have them. We can provide a few for \$5 & seam ripper kits @ \$13.50 (you can purchase both from Carbatec Christchurch instore or online).
Super Glue for finishing, sandpaper etc..

We have chisels and pen blanks. Looking forward to seeing you there. If you need more information or you would like to attend, please send an email to president.chchwoodturners@gmail.com.

Pyrography session Wednesday 10 April 7pm

Introduction to Pyrography is on for the second Wednesday at the workshop provided there are enough registering to attend?

If you are going to attend, email: Peter Clemett membership.chchwoodturners@gmail.com

Fourth Saturday Workshops

If you are interested in attending any of these one-day workshops, please let the tutor know in advance, so that sufficient materials can be prepared.

27 April - Wet turning flowers Well maybe not quite as wet as in the pictures. Contact the secretary Evan if wanting to attend. secretary.chchwoodturners@gmail.com



Commercial Opportunities

Items for sale at the Riccarton Bush House

A request for a woodturner to turn small items for sale at the Riccarton Bush House. Riccarton House had blocks of wood a turner could use but it was well spalted. The items were spoons, pens, spinning tops, letter openers etc. Those interested could contact me, Ray Morgan woodyrm22@gmail.com, or go direct to: Tracy Kitchingman at Riccarton Bush House, email is ; tracey@riccartonhouse.co.nz



We are looking for someone that could make a couple of turned wood inserts as per the following sketch.

The particular choice of soft or hardwood doesn't seem critical as these will be inserts for a fabric roll.

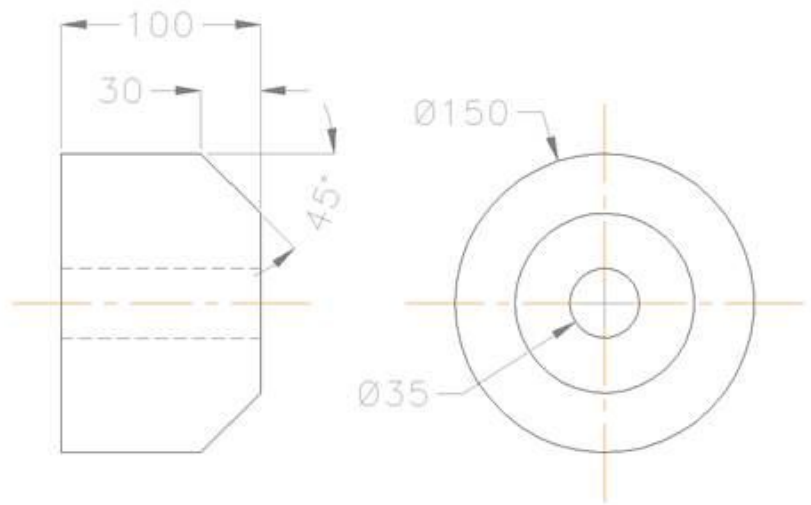
If you have someone we can talk to, I'd be keen to discuss timeframe and costs.

Many Thanks

Greg Muirsmeath

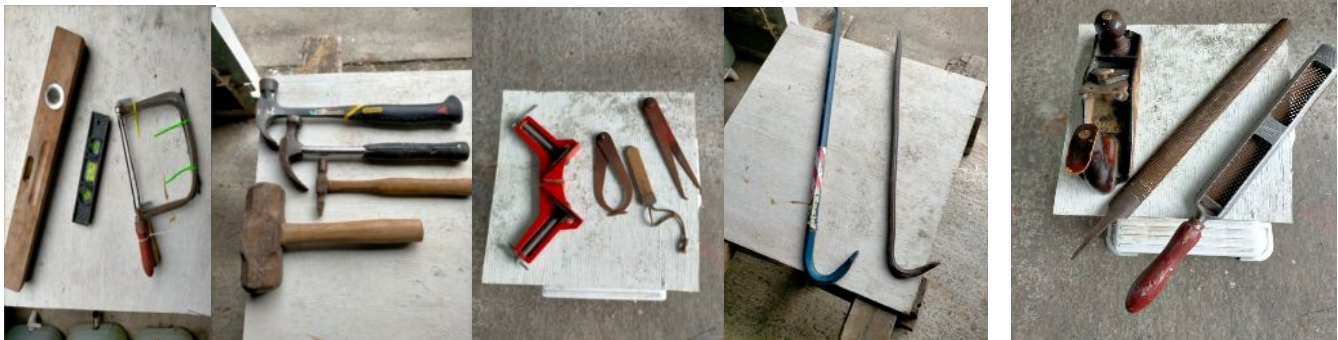
Business Development Manager

phone: +64 21 24 97 123



Woodworking tools offered for our members

I have a collection of woodworking tools I would like to see the tools go to a good home, is there anyone in your group who would be interested and perhaps make an offer? These have recently been added to Facebook Market place, under the heading, [From Grandad's Shed. Alan Woods](#) 0275838312



Emerging Bowl Workshop



Last Saturday saw a full-house at the workshop, with participants keen to learn and try their hand at making an emerging bowl. This is the same style of bowl Peter demonstrated at last month's Club meeting, but the method had been modified to simplify aligning the workpiece on its second axis. If you want to try it for yourself, you can download the project worksheet at

<https://sawg.org.nz/sawg/wp-content/uploads/2020/05/Bowl-Emerging.pdf>

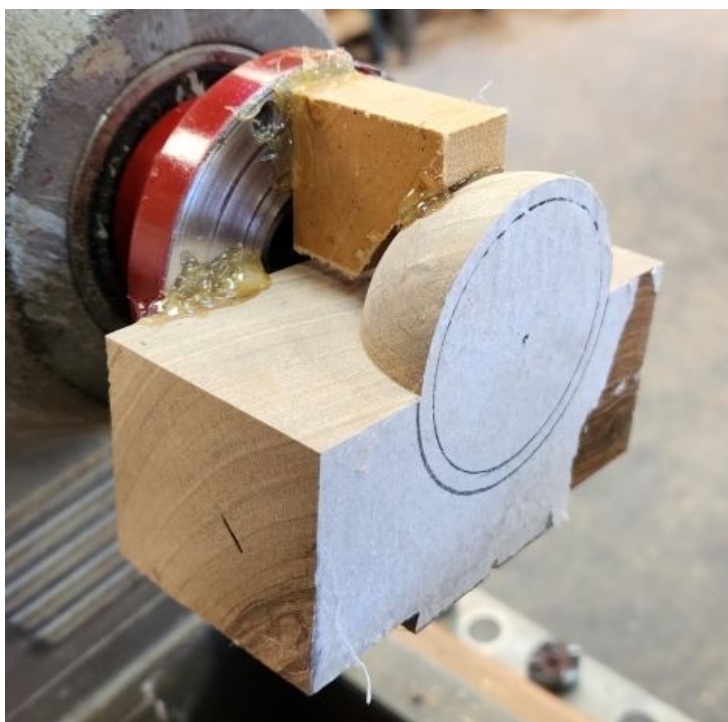
Check out the pictures below for some of the action on the day:

Summer sanding her work after completing the 1st-axis turning (stage 1).



Left: Don, preparing to separate his workpiece along the paper glue joint after stage 1. Two blanks for the next stage, out of the one.

Below: Tertius hot-gluing one of his blanks to a faceplate, in preparation for turning on the 2nd axis.



Above: Peter's demonstration example, ready for hollowing (stage 2).

Right: Ray hollowing his bowl on the second axis.



Renew Your Membership Now

The end of our membership year is fast approaching and unless you are already paid up through to 2025, it's time to renew. Your current year's membership expires on 31st March.

Subscriptions for the 2024/2025 year are unchanged from last year. Please pay your \$35 by internet banking into the Club account, or pay by cash to a Club officer at any meeting or workshop session. If paying by internet banking, don't forget to put your name and "Subs" in the details fields.



If any of your details have changed (email address, phone number, street address, emergency contact, etc.) please drop me an email and let me know.

Peter Clemett (*Membership Secretary*) – membership.chchwoodturners@gmail.com



Note: If you are a member of NAW, your subscription to that organisation is also due.

You will need your membership to be current to attend any of the demonstrations at the **Wood Expo** later in the year.



NAW Woodworking Event in Christchurch

Saturday, May 25, 2024 - 08:30 - Sunday, May 26 - 14:15

NAW Wood Expo

Come for a day or the whole weekend.

Why not turn it into a city break in Christchurch

Demonstrations from David Gillard, Michael Walker, Peter Clemett, Terry Scott, Dick Veitch, Neil Joynt and Emma James-Ries

Just \$30 per day for NAW Members including demonstrations, catered morning tea, lunch and afternoon tea.

Non NAW members welcome - extra \$50

Gala Dinner just \$45

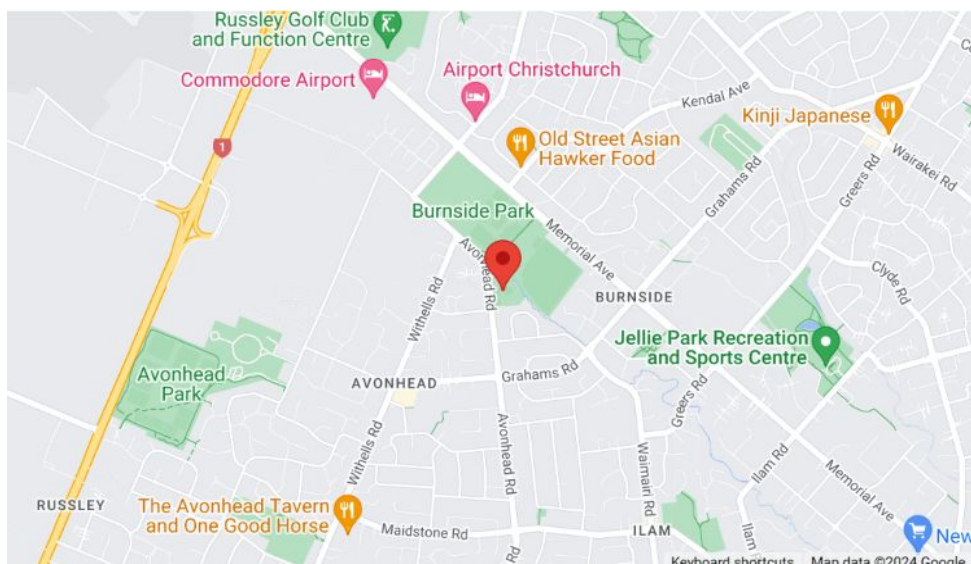
Trade Hall, featuring Carbatec, Owen Turning Supplies, Woodgrain NZ and Timberly - free entry.

Event discount and trade show specials.

Plenty of free parking (including motorhomes)

[Click to view Poster](#)

[Registration Form](#)



Venue: [Burnside Bowling Club](#), 330 Avonhead Road, Christchurch

March Pyrography Class

Peter ran a fabulous pyrography class. His style of teaching is excellent. He gave the attendees a handout with pictures of work from professional pyrographers. These were gratefully received and inspired those there.



Our club has two Burnmaster pyrography machines, so luckily Lette and Dee brought theirs. The club is working toward purchasing more of these machines. They have tentatively made space by the entrance to the workshop for the pyrography gear, which is awesome, but the gear does fill up with dust, so they are considering other spaces.



Dee helped Peter by working with the participants and showing basic skills. She gave her Burnmaster to Kapila, who made a beautiful butterfly. This was his first time doing pyrography. As you see from the lovely smile of his face, he enjoyed himself.

Nette had her project that she brought along. She burned names, sayings and designs on wooden bookmarks she made. She is giving these as gifts.



Tertius burned a wolf as his practice piece, while Summer made a dragon.

As we were packing up Summer was reluctant to finish. She said how much she enjoyed learning this new skill.

Why don't you come along and have a go? You can bring a project, or use one of the practice boards provided, so you can learn how to burn on wood. Classes are on the second Wednesday of the month and start at 7.00pm. They are in the workshop in Auburn Park. Peter and Dee would love to see you there.

If you do want to come along, email Peter on membership.chchwoodturners@gmail.com, or Dee on deedinky2@hotmail.com.



From the internet and around

1. Woodturning - YEW Don't Want To Turn It Like That! Jack Mack Woodturning
<https://www.youtube.com/watch?v=cn0ZmFSYGEO>
2. How to make a square bowl on a lathe. - Ronald Kanne
<https://www.youtube.com/watch?v=q5OzBynLMZI>

Fancy a Live-in Weekend of Woodturning?

Waiora Turn Inn

Hosted by the Otago Woodturners Guild

Friday 12/04/2024 (midday) - Sun, 14/04/2024 (midday)

Waiora Scout Camp - Silverstream Valley Road, Whare Flat, Taieri Plains, Dunedin

For enquiries or to register, contact Leah Jelgersma (Secretary/Treasurer) by phone (03 453 1174) or email (otagowood@gmail.com). Closing date for registrations is 20/03/2024.

The Waiora event has no fixed programme – essentially you turn up with your own projects to work on, or if you need inspiration then you can check out what others are doing and try your hand. Participants typically engage in one or more of turning, scroll sawing, carving, or pyrography. Take your own lathe if possible and scroll saws are welcome. The Otago club has a limited number of lathes that can be used, which you can request when you register register.

This is a residential (live-in) event. Onsite accommodation is in cabins (bunk style beds). A mattress and pillow are supplied, but you will need to bring own bedding (sleeping bag, pillow case) and towels etc. Carpark space is available for parking campervans if you prefer, but there are no power points. You can self-cater or choose to have all meals catered by the event cooks. From past experience, this is a fantastic option, with great food and you will not go hungry.

Usually, W R Owen Turning Supplies has a shop set up all weekend in the main hall.

February club meeting – report

Peter Clemett demonstrated the making of an emerging bowl and modelled a woodturning jacket to prove the latter can be both functional and amusing. Time for a new club jacket perhaps?

As usual Peter demonstrated precision in his demonstration, a template made for the inside and outside dimensions provided for a bowl wall thickness of only a couple of millimetres.



The picture on the right shows the concentration required when the piece being turned includes a lot of edges that can trap fingers and / or tools.



There is a report on the workshop that followed on making emerging bowls elsewhere in the newsletter.

At the February Meeting – Results from the show table

1. Andrew – Wig stand
2. Mike Ginty – Burr Elm bowl
3. Patrick Campbell – Rocky bottom fruit bowl



Other show table entries follow:



Special topic workshop sessions

The following session will start at 9am at the workshop in Auburn Reserve. If you wish to attend please email Noel or Peter one week prior to the class to reserve your space and give ample time for the preparation of timber etc... Check your emails for any late cancellations.

- 27 April Wet turning flowers
- 25 May NAW weekend (club closed)
- 22 June Buzzy bee (Peter)

Other events

- 27 March Club meeting at Wigram.
- 24 April Club meeting at Wigram.

Club Information

Club Membership	Details and registration, visit https://www.woodturning.nz/membership/
Woodturning Course	For information, visit https://www.woodturning.nz/courses/
Past Newsletters	Can be downloaded from https://www.woodturning.nz/newsletters/
Other Clubs' Newsletters	Can be viewed online, here

Regular Meeting Schedule

Club Meetings	4 th Wednesday of the month. 7pm at the Harvard Community Hall
Open Workshop	Thursdays 1-4pm, 7-9pm at the Workshop, Auburn Reserve
Pen workshop	1 st Wednesday of the month. 7pm at the Workshop, Auburn Reserve
Pyrography	2 nd Wednesday of the month. 7pm at the Workshop, Auburn Reserve

Christchurch Woodturners Association Contact Details

Patron: Soren Berger

Life Members: Noel Graham

Committee

President:	Mark Teeboon	022 098 2203	president.chchwoodturners@gmail.com
Treasurer:	Bill Parsons	03 351 5647	treasurer.chchwoodturners@gmail.com
Secretary:	Evan Gow	021 033 8065	secretary.chchwoodturners@gmail.com
Newsletter:	Ray Hall	03 388 7277	
WebMaster:	Ray Hall	03 388 7277	webmaster.chchwoodturners@gmail.com
NAW Course:	Noel Graham	027 240 8112	
Membership:	Peter Clemett	03 342 5242	membership.chchwoodturners@gmail.com
	Dee Morgan	03 359 4386	
	Ray Morgan	03 366 9795	
	Keith McFadden	03 352 0333	
	Joe Hayes	03 385 3910	
	Mike Ginty	022 164 3322	
	Nigel Elson	021 186 2768	

Our Club is affiliated to the National Association of Woodworkers NZ Inc. (NAW).

The National Certificate of Woodturning course is administered by NAW.

Visit <https://naw.org.nz/> for more information.

